

UNDER WATER COLOR TV CAMERA with INTEGRAL LIGHTING



SPECIFICATIONS

The Aqualite downhole camera is an underwater camera with a built-in ring of high intensity lights for close up viewing.

The camera housing is very small (1.16 inch diameter by 8.3 inches long) and is constructed from 300 series stainless steel. The viewing window is non-browning fused quartz. The housing is sealed for underwater use to 200 feet depths. The connector on the camera has a stainless steel shell. The camera is designed to operate on 12 volts DC, and the internal light ring operates on 0-30 volts DC or AC.

POWER	12 VDC for camera, 0-30 volts for light ring supplied via camera control unit.
SENSOR	½ in. interline transfer CCD
SCAN AREA	6.5 x 4.8 mm
HORIZONTAL RESOLUTION	470 TV lines
MINIMUM SCENE ILLUMINATION	4.5 lux at f/1.2
S/N RATIO	48dB
OUTPUT IMPEDANCE	75 Ohms
LENS	7.5 mm, f/1.6 (modified)
FOCUS	1 foot to infinity (manually adjustable)
IN AIR FIELD OF VIEW	35.5 x 46.2 degrees (vert x horiz)
UNDERWATER FIELD OF VIEW	26.5 x 34.3 degrees (vert x horiz)
LIGHTS	8 ea. High intensity pre-focused
LIGHT RING VOLTAGE	0-30 volts
HOUSING DIAMETER/LENGTH	1.16/8.30 inches
WEIGHT	1.12 pounds
MATERIAL	Stainless steel
WINDOW MATERIAL	Fused quartz
CONNECTOR	BC-10
MATING CONNECTOR	CC-10
TEMPERATURE RATING	-10 ⁰ TO 40 ⁰ C (14 ⁰ TO 104 ⁰ F)



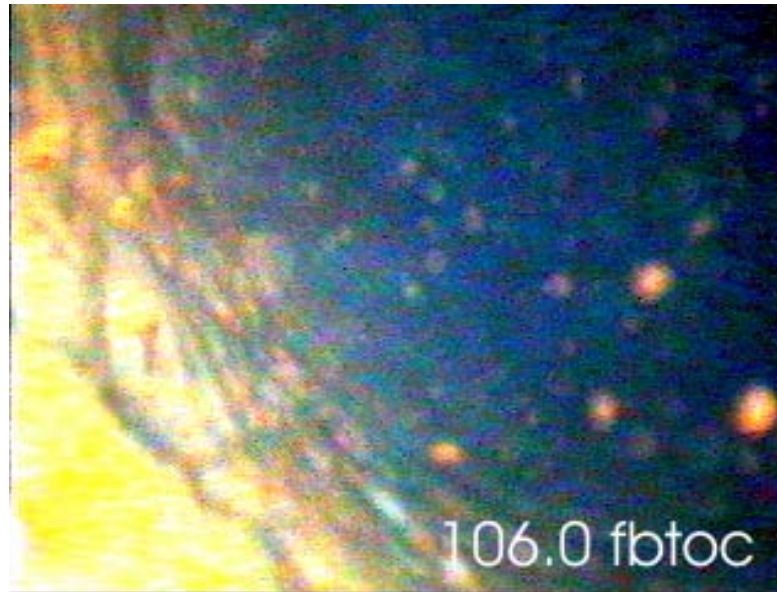
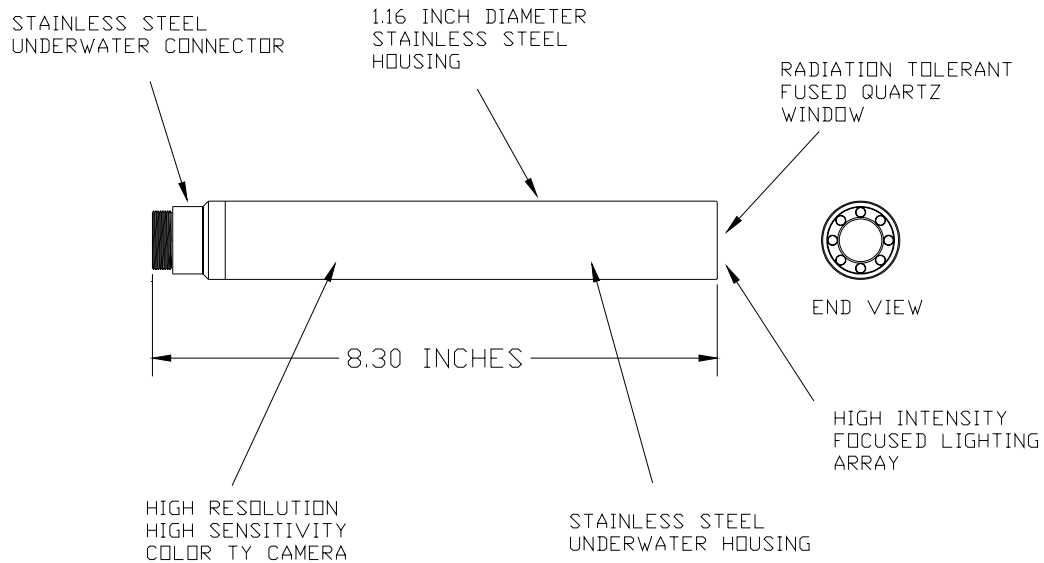
- ◆ BUILT IN HIGH INTENSITY FOCUSED LAMPS
- ◆ SMALL SIZE
- ◆ LOW VOLTAGE

AquaVISION ENVIRONMENTAL LLC

375 33 ½ Road
Palisade, Colorado 81526
Tel: 888.830.4004
E-Mail: support@aquavisionenv.com
Web Page www.aquavisionenv.com

Aqualite Downhole Camera

DIMENSIONAL DRAWING



AquaVISION ENVIRONMENTAL LLC

375 33 1/2 Road
Palisade, Colorado 81526
Tel: 888.830.4004
E-Mail: support@aquavisionenv.com
Web Page www.aquavisionenv.com